

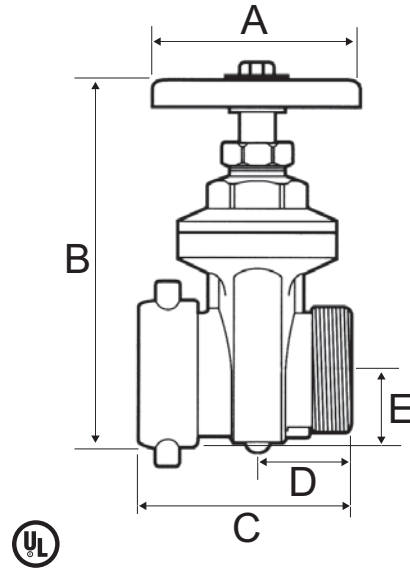


Hose Valve, Straight Non-Rising Stem (NRS)

A53G

Technical Features

- Sizes available (Nominal) : DN65 x DN65 / 2 1/2" x 2 1/2"
- Pressure data :
Working pressure : 20.7 bar (300 psi)
- Seat type : Brass body, brass mount
- Finish : Cast brass
- Connections : Swivel Inlet female threaded NST.
Outlet male threaded NST.



Hose Valve, Straight Non-Rising Stem (NRS) - A53G

Physical Data

Nominal Pipe Size		Dimensions (mm / inch)					Reference	Weight (kg / lbs)
Metric	inch	A	B	C	D	E		
DN65 x DN65	2 1/2" x 2 1/2"	132.0 / 5.2	236.2 / 9.3	132.0 / 5.2	58.4 / 2.3	48.3 / 1.9	A53G250250	4.20 / 9.24

Hose Valve, Straight Non-Rising Stem (NRS) - A53G Materials List

Item	Description	Material
1	Body	Brass
2	Handwheel	Cast Iron
3	Handwheel Nut	Steel
4	Swivel Inlet	Brass

